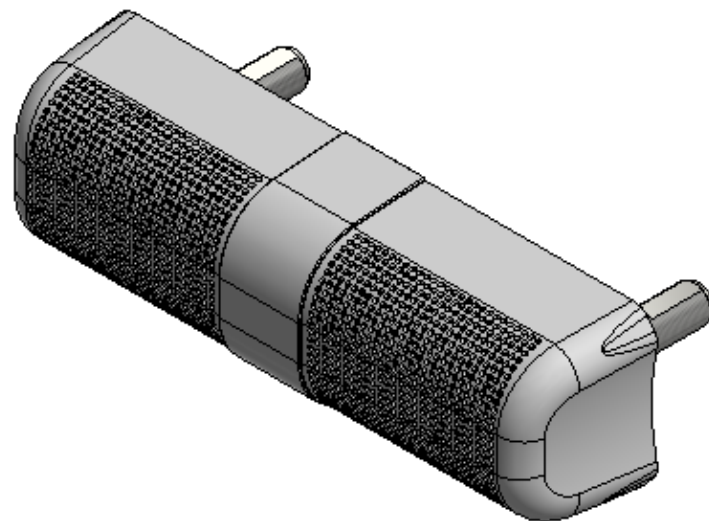


# Multi Band MIMO Omni Antenna

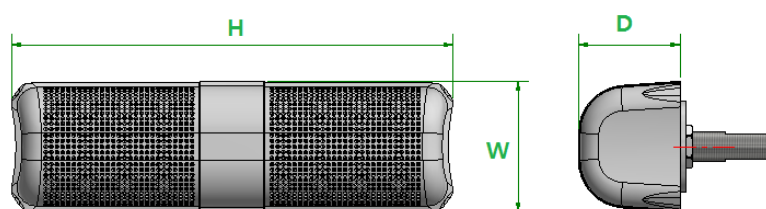
819~960, 1710~2690, 3350~3900 MHz / 3, 3, 4dBi

## Omni-3dBi\_Speaker\_MIMO\_3.5Ghz

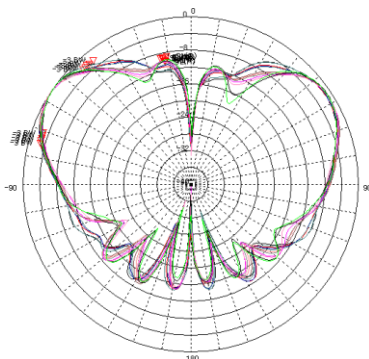
| i. Electrical Specification          |  |           |           |
|--------------------------------------|--|-----------|-----------|
| Frequency Range (MHz)                | 819~960  | 1710~2690 | 3350~3900 |
| Polarization                         | V / V , ± 45°  |           |           |
| Band Width                           | 141 MHz  | 980 MHz   | 550 MHz   |
| Gain                                 | ≥ 3 dBi  | ≥ 3 dBi   | ≥ 4 dBi   |
| Beam width                           | Horizontal   | 360       | 360       |
|                                      | Vertical   | ≥ 20 °    | ≥ 10 °    |
| F-B ratio<br>(Horizontal & Vertical) | -  | -         | -         |
| VSWR                                 | 1 : 1.9  | 1 : 1.9   | 1 : 1.9   |
| Isolation (dB)                       | 15   | 15        | 15        |
| Impedance                            | 50 Ω   |           |           |
| IMD                                  | ≤ -140dBc @ 2x40dBm (3rd)<br>≤ -160dBc @ 2x40dBm (5th) |           |           |
| Maximum input power                  | 50 W   |           |           |



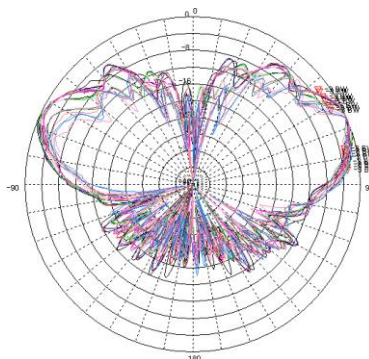
| ii. Mechanical Specification |   |
|------------------------------|---|
| Radom Dimension (WxDxH )     | 73 x 57 x 246 mm<br>(LGU+규격: 80 x 60 X300 mm) |
| Weight ( without bracket )   | ≤ 1.5 Kg                                      |
| Connector Type               | N-Female x 2                                  |
| Radome Material              | ABS / ASA / Anti-UV-PVC                       |
| Radome Color                 | White / Ivory, Cool Gray 1C                   |
| Mechanical Down Tilt         | -   |
| Temperature                  | -40 °C ~ 70 °C                                |



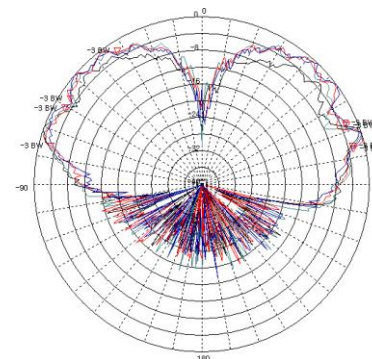
## iii. Radiation Pattern



Vertical Pattern  
(819-960 MHz)



Vertical Pattern  
(1710-2690 MHz)



Vertical Pattern  
(3400-3700 MHz)